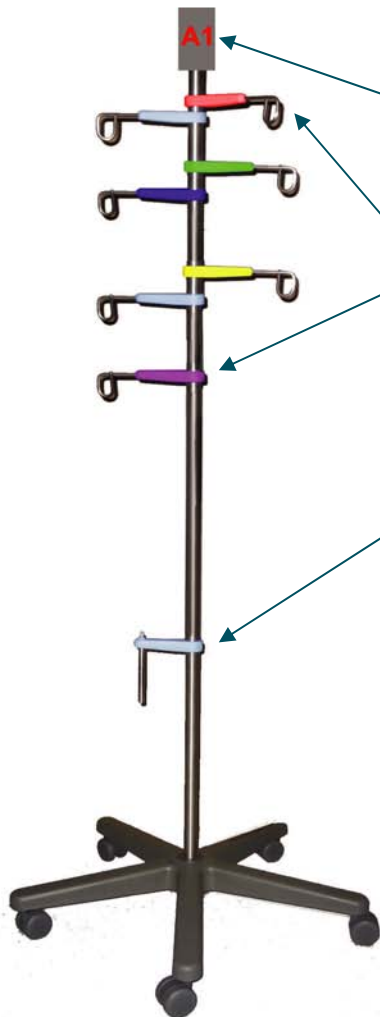
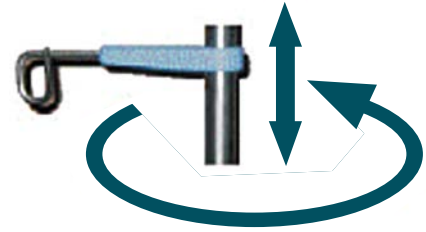


# Award Winner - UniPole System™

Designed and Distributed  
by Fox Medical

Exciting new design IV Support POLE

YOU CAN CUSTOMIZE YOUR POLE AND  
**COLOURIZE** YOUR WARD



I.D. CAPS AVAILABLE - FIRST TIME EVER

**COLOURS** AVAILABLE - FIRST TIME EVER

SPECIFY # OF HOOKS - ANY HOOK CAN BE QUICKLY  
POSITIONED WITH ONE HAND TO ANY HEIGHT IN ANY  
DIRECTION AND AUTOMATICALLY LOCKS IN POSITION  
- FIRST TIME EVER

INTEGRATED DRAINAGE BAG HOLDER AND TOW LINK  
FOR ATTACHMENT TO BEDS AND GURNEYS  
- FIRST TIME EVER  
- O2 HOLDER

ASK ABOUT  
**UniPole** FOR:  
OPERATING  
ROOMS

## ADDITIONAL ADVANTAGES

### NO KNOBS

\*to adjust or lose

### SINGLE STAINLESS STEEL POLE

\*non-telescopic (doesn't accidentally descend)

### ENTIRE POLE IS USABLE

\*hooks can be positioned top to bottom

\*supports pumps



### MEETS HIGHEST INFECTION CONTROL STANDARDS

\*easily cleaned and disinfected

\*no telescopic cavities to harbour pathogens

## Specifications:

- 1" diameter stainless steel tube
- Designed for clearance under doorways
- Stainless hooks, stainless tow link
- Durable, non-corrosive, 5-leg base (23" or 25") diameter
- 3" single swivel castors to optimize mobility
- Extremely durable
- O2 Holder

# FOX MEDICAL

EQUIPMENT, INC.

P: (215) 887-6020

F: (215) 887-5944

704 Summit Avenue  
Jenkintown, PA 19046